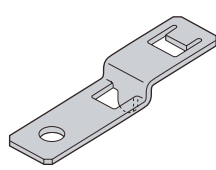


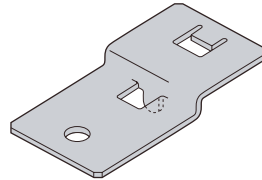
Accessories

• L bracket D-3000

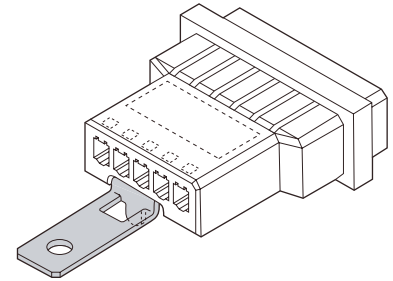
Used to secure free-hanging type tab housings onto panels. Two styles, large and small, are available, the former for large-sizes housings and the latter for small housings. Applicable housings are specified in the table of housings 5900121-2 (S) 5900121-4 (L)



Part number : 5900121-2(S)

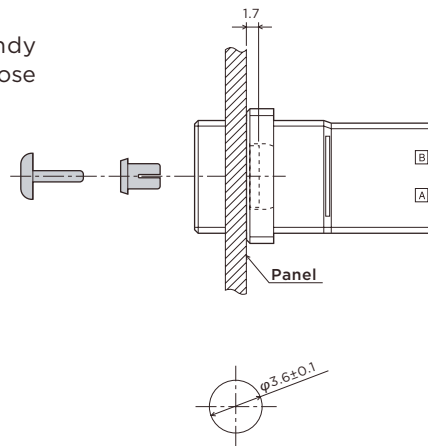
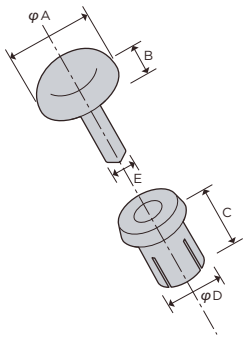


Part number : 5900121-4(L)



• Push rivets D-3000

Used to secure panel-type tab housings onto panels (Use as a handy mounting hard ware. Cannot be used with larger sized housings or those that are frequently inserted and withdrawn).



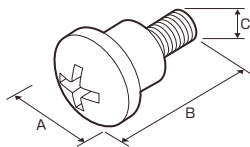
Panel Hole Machining recommended

Part Number	Panel Thickness	Dimensions					Insert Strength	Retention Force
		A	B	C	D	E		
900128-1	0.3-1.3	6.4	1.6	4.5	3.5	1.95	19.6N-29.4N	127.4N Min.*
900128-2	1.3-2.3	6.4	1.6	5.5	3.5	1.95	19.6N-29.4N	127.4N Min.*

\* when using 2

Panel Mounting Screws D-2000, D-3000

Part Number	Dimensions		
	A	B	C
900167-1	9.0	10.3	M3



Panel Mounting Hex Screws D-2000

Part Number	Dimensions		
	A	B	C
1376059-1	5.5	12.3	M3

